

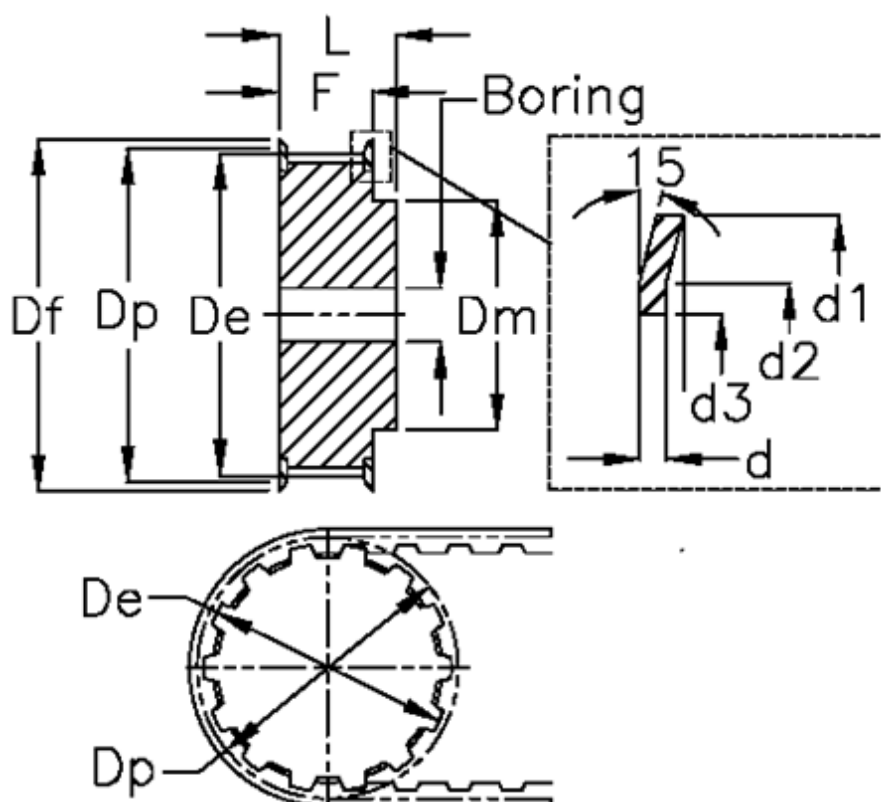
# Data Sheet



Article number: 604144030085

Description: Timing belt pulley with hub  
HTD 30 8M 85

## Measures



Bore = 15	Dp = 76.39
d = 1.5	F = 95
d1 = 83	Flange type = F29
d2 = 78	L = 105
d3 = 68	Tooth number = 30
De = 75.13	Type = 8M
Df = 83	Weight = 3
Dm = 55	Width = 85